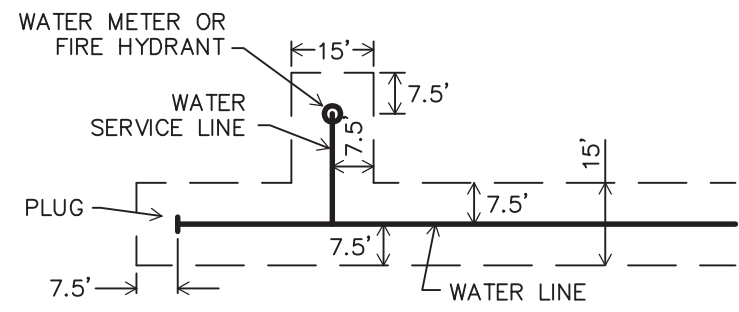
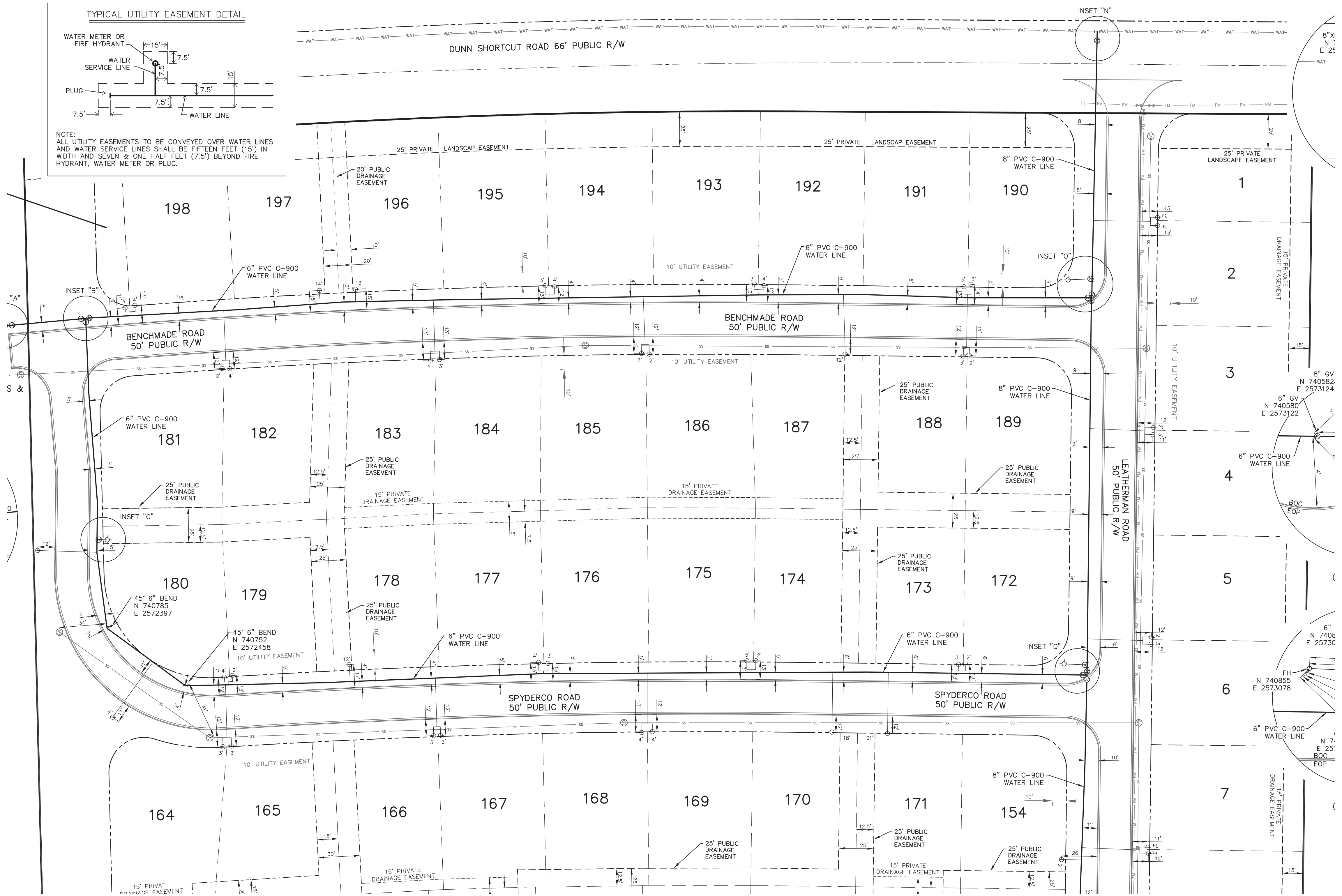


TYPICAL UTILITY EASEMENT DETAIL



NOTE:
ALL UTILITY EASEMENTS TO BE CONVEYED OVER WATER LINES AND WATER SERVICE LINES SHALL BE FIFTEEN FEET (15') IN WIDTH AND SEVEN & ONE HALF FEET (7.5') BEYOND FIRE HYDRANT, WATER METER OR PLUG.



8" X
N
E 25

8" GV
N 740582
E 2573124

6" GV
N 740580
E 2573122

6" N
E 25730

FH
N 740855
E 2573078

N 7
E 25
BOC
EOP